

**Right Angle**



**Flat**

## FEATURES

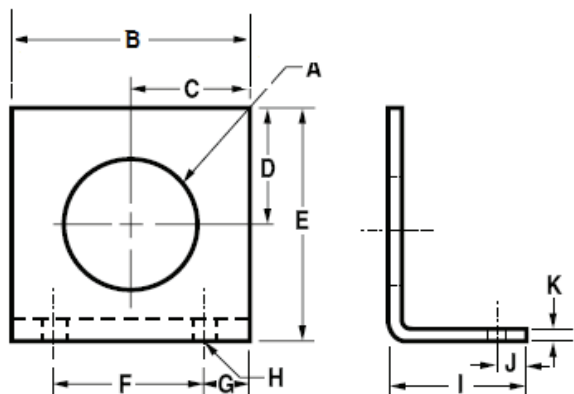
### Mounting Brackets

- Hold the 18mm, 30 mm or 58mm Prox Encoder
- Easy Installation
- Secure Fastening
- Durable

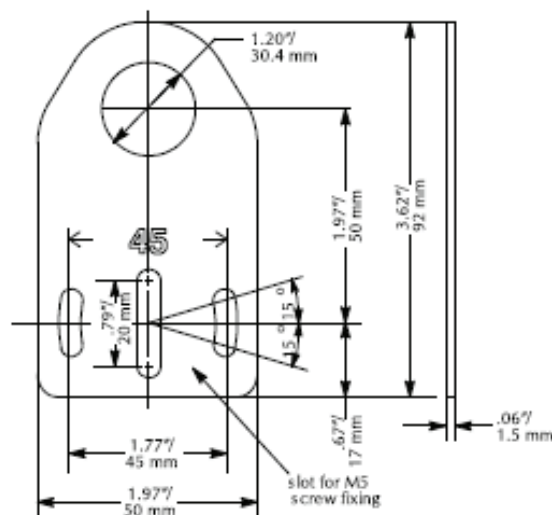
## DESCRIPTION

Joral Mounting Brackets are designed to hold the Joral 18mm and 30 mm Prox Encoders. Mounting brackets are made of stainless steel. The encoder is mounted to the bracket through the hole. The position can be adjusted by using the lock nuts supplied with the encoder.

### Models MB-RA18 and MB-RA30



### Model MB-FT30



### Model & Sensor Diameter

	A	B	C	D	E	F	G	H	I	J	K
MB-RA18 18mm	19.05 (3/4")	34.92 (1-3/8")	17.46 (11/16")	19.84 (25/32")	38.10 (1-1/2")	22.22 (7/8")	6.35 (1/4")	4.76 (3/16")	25.40 (1")	5.56 (7/32")	3.17 (1/8")
MB-RA30 30mm	30.96 (1-7/32")	50.80 (2")	25.40 (1")	36.91 (1-29/64")	63.50 (2-1/2")	31.75 (1-1/4")	9.52 (3/8")	6.35 (1/4")	38.10 (1-1/2")	9.52 (3/8")	3.17 (1/8")
MB-RA58 58mm	Consult factory for dimensions										